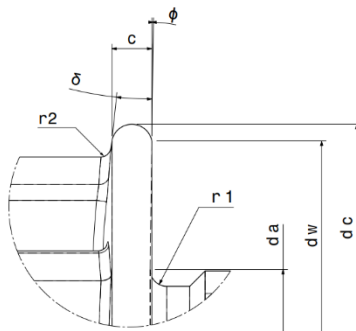
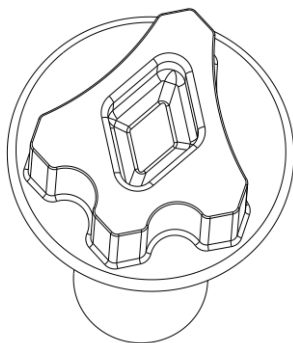


SECTION X-X

SECTION Y-Y



DETAIL Y



All dimensions are in mm.

d	M6	M8	M10	M12
p*	1	1.25	1.5	1.75
a	max. 2	2.5	3	3.5
c	min. 1.1	1.2	1.5	1.8
da	max. 6.8	9.2	11.2	13.7
dc	max. 13.6	17.3	21.3	25.6
	min. 12.7	16.3	20.3	24.5
dw	min. 12.2	15.8	19.6	23.8
db	max. 4.3	6	7.3	9.3
e	min. 10.95	14.26	17.62	19.86
sw	max. 10	13	16	18
	min. 9.78	12.73	15.73	17.73
k	max. 6	6.8	8.15	9.85
kw	min. 3	3.5	4.1	5
x	max. 1.6	2.1	2.4	2.7
	min. 1.4	1.9	2.2	2.5
BR	max. 1.4	1.9	2.8	3.5
	min. 1.2	1.65	2.5	3.2
SR	max. 13	16.1	19.2	24.3
	min. 12.6	15.5	18.4	23.3
r1	min. 0.25	0.4	0.4	0.6
r2	max. 0.4	0.5	0.6	0.7
r3	max. 0.35	0.5	0.6	0.7
	min. 0.2	0.3	0.4	0.5
r4	max. 0.6	1.2	1.2	1.3
	min. 0.4	0.9	0.9	1
r5	ref. 0.5	0.7	0.8	0.9
r6	ref. 0.6	0.8	0.9	0.9
t	max. 1.95	2.3	2.7	3.1
	min. 1.7	2	2.4	2.8
z	max. 2.5	3	3.5	4
	max. 5.75	7.00	9.00	10.40
w1	min. 5.45	6.70	8.70	10.10
w2	max. 3.90	4.90	6.05	6.85
	min. 3.70	4.70	5.85	6.65
w3	ref. 3.6	5.2	6.8	7.4
w4	ref. 2.1	3	3.9	4.3
u	max. 2	2.5	3	3.5
delta	max.	7°		
	min.	5°		
phi	max.	1.25°		
	min.	0.25°		
L	According to the customer request			

Notes:

- 1) TETLIGHT® design is intended for the fasteners with coarse threads and a strength grade of 10.9 or higher.
- 2) 3D data provided by R&D should be considered in case of conflicts regarding the customer requests, new product launch, and production.

METRIC SIZE	DRIVE SIZE	DIN 1665 HEAD WEIGHT (g)	TETLIGHT HEAD WEIGHT (g)	WEIGHT REDUCTION (g)	% WEIGHT REDUCTION
M6	TL10	5.1	3.1	2.0	39.2
M8	TL13	10.2	6.0	4.2	41.2
M10	TL16	20.0	10.9	9.1	45.5
M12	TL18	30.1	17.1	13.0	43.2

Notes:

- 1) All weights are in grams.
- 2) The weights in this table are based on DIN EN 1665 standard.